

# IMS

## INTELLIGENT MOBILE SPREADING

Nothing is left to chance with the IMS series' new spreading media distribution system. Every phase of spreading material flow has been observed and analysed, thus permitting perfect optimisation. The OptiWet® technology and the use of modern materials facilitate the realisation of automatised spreading processes and result in optimal spread patterns at all speeds, observation and manual readjustment is no longer necessary.

### Plastic – an ideal material for best spreading media flow

- no adhesion and crusting of salt
- special abrasion-proof material – suitable for sharp grit
- highly elastic even at lowest temperatures

### Chute

- for constant spreading media flow even with small quantities

5

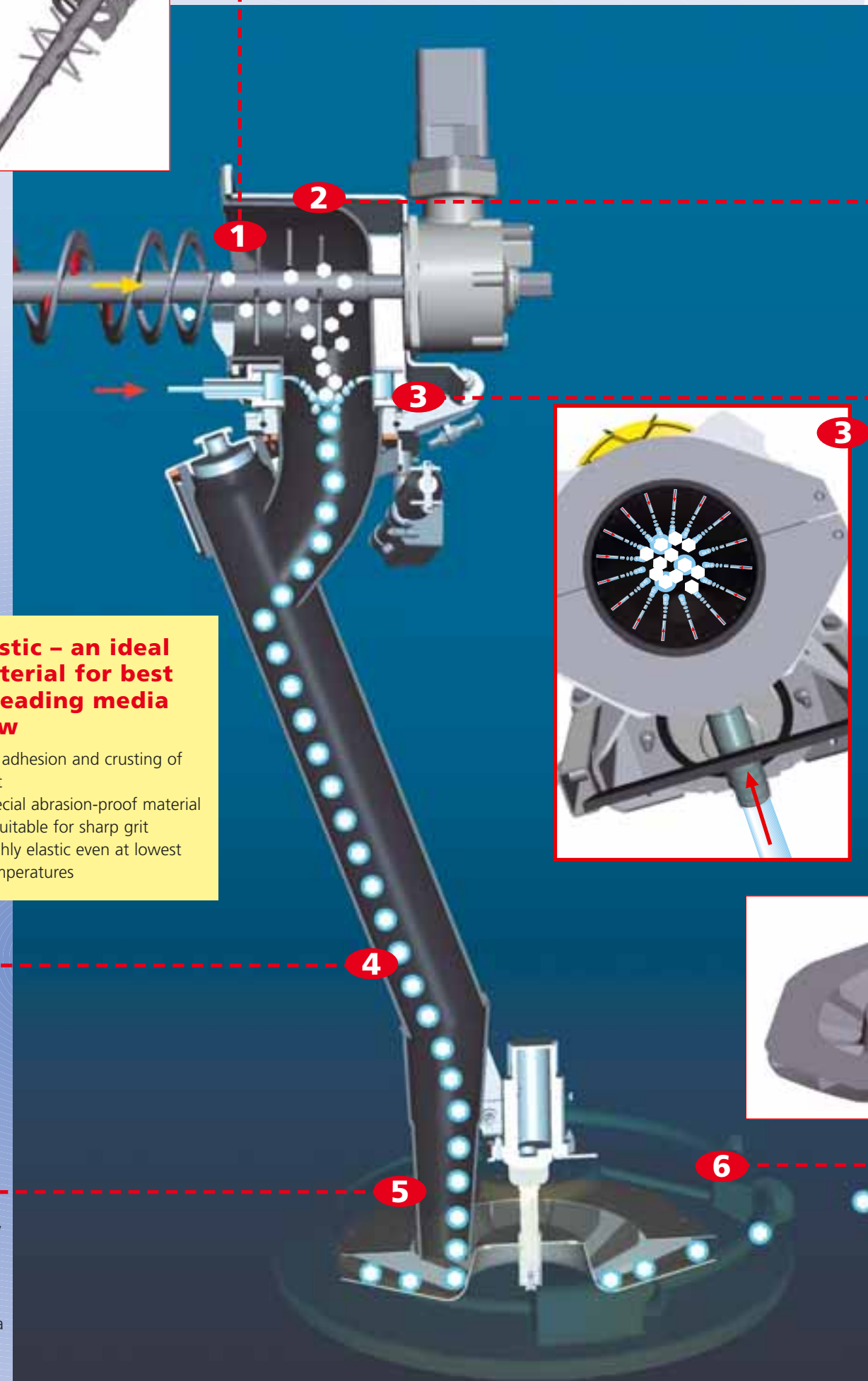
### Mouthpiece

- for controlled spreading media flow with exactly defined impact point at spinner disc cone – required for an optimal spread pattern
- reliable spreading media flow due to micro vibrations



### Frequency-overlaid auger control

- for loose and constant flow of spreading media



# Automised spreading due to the innovative OptiWet® technology

### Slide insert in upper distribution system

- shaped to ensure centric flow of materials into the liquid spraying system

### Mixing of prewetted salt by spray-ring nozzels

- three vertically arranged spray-ring nozzels for homogeneous wetting of spreading media



### Spinner disc

- equipped with a smooth cone for soft spreading material flow towards spinner disc fins
- disc rim raised resulting in a controlled flow of spreading materials
- two lengths of fins for even spreading material distribution

### FS adaptive:

The further development of FS 30 technology, with its variable mixing ratios results in optimal wetting of salt grains.

### With automatic spreading track adjustment:

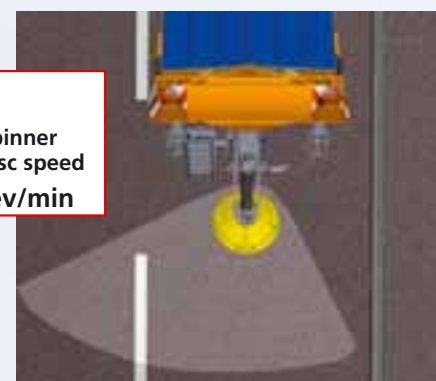
For constant spread patterns within the complete range of speeds and spreading quantities

### For automatic stabilisation of spreading width:

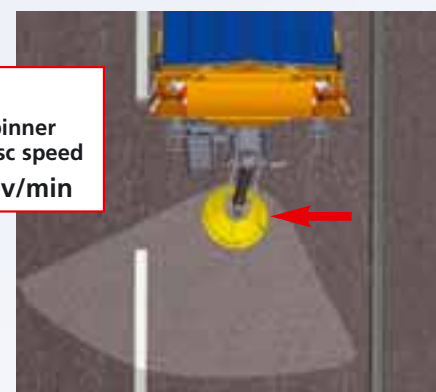
For constant spreading widths independent of speeds and spreading quantities



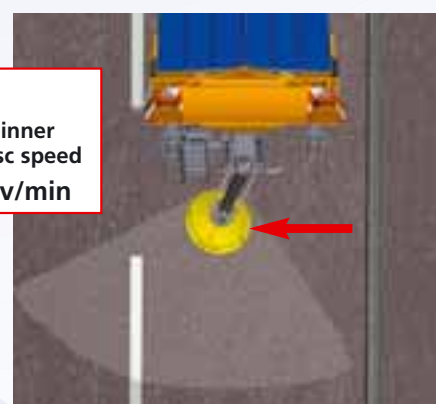
Spinner disc speed  
rev/min



Spinner disc speed  
rev/min



Spinner disc speed  
rev/min



“ 8 m spread width,  
liquid pump on!”

# Vpad

Due to its modular design, the Vpad stands for high flexibility – with or without snowplough control unit attached – Display available with graphic or linear design, with or without voice input and output. Control panel as a single compact unit or separate as keyboard and display. Always corresponding to service requirements



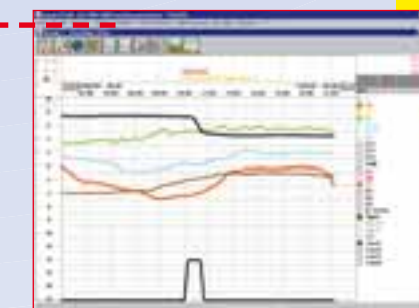
### Spread pattern monitored on display



Vpad SL  
– offering a basic four-line display



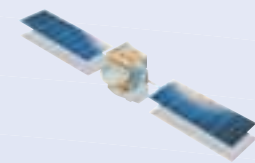
### Data management



Thanks state-of-the-art transmission systems such as GSM, GPRS, radio or WLAN, actual recorded values and service data can be exchanged between the Vpad and BORRMA-web or SDM.

The add-on, Vpad joystick, snowplough control unit can be either fitted to the left or to the right





# SDM

Recording and evaluation of service data

# GPS

# GSM SMS

# BORRMA-web

Interactive communication technology for all components in the surface condition management, based on state-of-the-art web technology

# SWIS®

# ThermoMAT

Thermographic method to detect road surface temperature. Automatic adjustment of spreading media dosing according to temperature measured. Possibility to transfer the recorded data into BORRMA-web to support GFS online.



fixed



mobile

## Surface Condition Management

GFS 3000 series ..... Surface Condition Assessment ..... On-board-sensors

FAST ..... Surface Treatment Devices ..... Vehicles

BORRMA ..... Surface Data Management ..... BOSAT



KÜPPER-WEISSER GmbH | Wintermaschinen  
In Stetten 2 | D-78199 Bräunlingen | Germany  
Tel. ++49 771 6010 | Fax ++49 771 601155  
info@kuepper-weisser.de | www.kuepper-weisser.de

MARCEL BOSCHUNG Ltd. | Maschinenfabrik  
Ried bei Berg 4 | CH-3185 Schmittlen | Switzerland  
Tel. ++41 26 497 85 85 | Fax ++41 26 497 85 90  
sales.mechanical@boschung.com | www.boschung.com



Technical modifications reserved.

248 03104 3e

# IMS

## INTELLIGENT MOBILE SPREADING

# KÜPPER WEISSER



### The future of spreading technology

With the **IMS** series a completely new generation of spreaders has been introduced: from the hopper's low centre of gravity and high torsive strength, the pre-prepared fixing points for all Küpper-Weisser demounting systems to the intelligent **OptiWet®** distribution system – the **IMS** series represents an innovative, automatised and mobile spreading technology.

IMS frequency-overlaid auger control



IMS frequency-overlaid belt control

